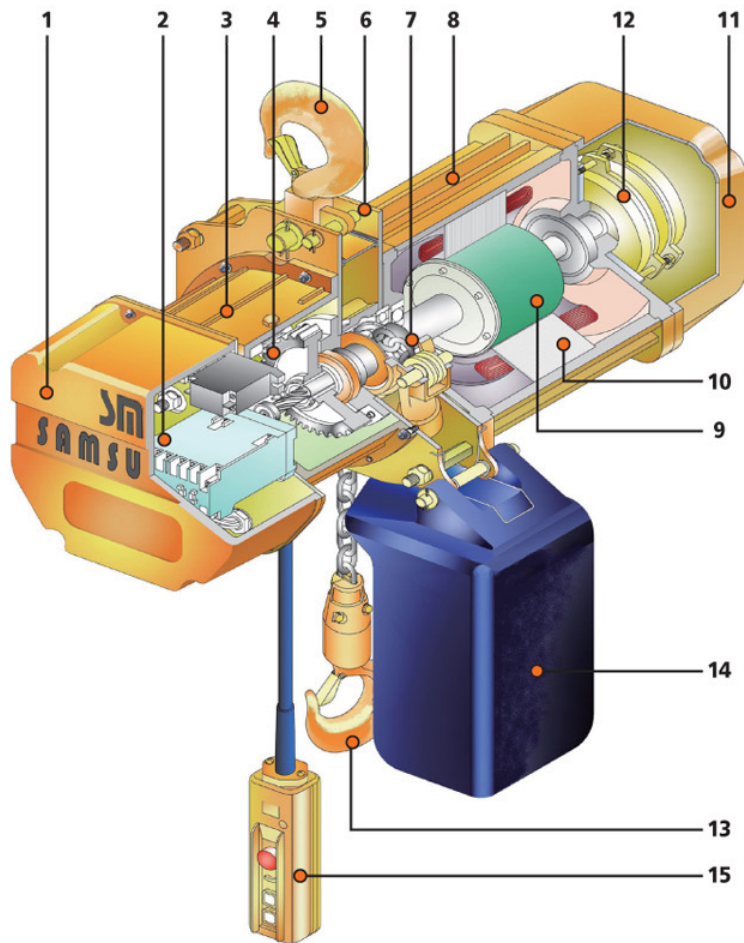




CHAIN HOIST

The best support for the best product



- 1. Electrical equipment cover
- 2. Electrical Components
- 3. Gearbox
- 4. Slipping clutch
- 5. Top hook
- 6. Center frame
- 7. Load sheave
- 8. Motor frame
- 9. Rotor
- 10. Stator
- 11. Brake Cover
- 12. Brake
- 13. Bottom hook
- 14. Chain bucket
- 15. Push button

EXPLANATION OF HOIST DESIGNATION

SM T - S 1000 - AF

*Other
 SP = Single Phase
 AF = A Frame
 BF = B Frame
 CF = C Frame

*Hoist capacity (KG)
 1000KG, 2000KG...

*Hoisting speed
 S = Single Speed
 D = Dual speed

*Travesing method
 O = Ordinary type
 T = Motor Driven Trolley
 L = Low head type

Samsung Machinery

MAIN PRODUCTS

Chain Hoist & Explosion-Proof Hoist



Suspension Type
1/2ton~20ton



Motor Trolley Type
1/2ton~20ton



Low-Head Type
1/2ton~5ton



Single Phase Hoist
1/2ton~2ton

Crane & Components of Crane



Crane



Saddle



Geared Motor



Soft Starter

SELECTION CRITERIA

You can use CHAIN HOIST for a long time without any trouble if you select it properly according

Samsung Electric Chain Hoists are allocated to mechanism groups in accordance with the following regulations. Under the allowance of the following mechanism groups, the hoist should be operated and should not exceed the nominal values. On each identification plate, The following is indicated.

- Hook suspension chain hoist : FEM 9.511 (Hoist = FEM 2m 40% ED)
- Motor trolley mounted series : FEM 9.511 (Hoist/Trolley + FEM 2m 1Am 40 / 25% ED)
- Starting frequency = 240 time/Hr.

FEM Mechanism Group 9.511

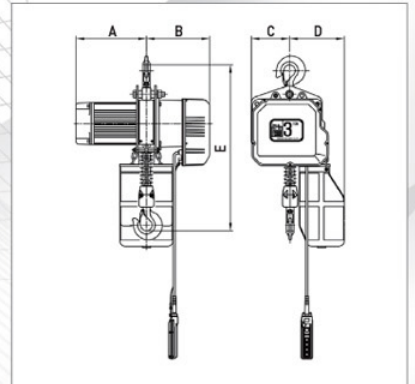
(Rules for Design of Serial Lifting Equipment : Classification of Mechanism)

Mechanism group	1Bm	1Am	2m	3m	4m	5m
Load group	Average operating period per day (h)					
Light $k < 0.50$	<2	2-4	4-8	8-16	>16	-
Medium $0.50 < k < 0.63$	<1	1-2	2-4	4-8	8-16	>16
Heavy $0.30 < k < 0.80$	<0.5	0.5-1	1-2	2-4	4-8	8-16
Very Heavy $0.80 < k < 1.00$	<0.25	<0.5	0.5-1	1-2	2-4	4-8

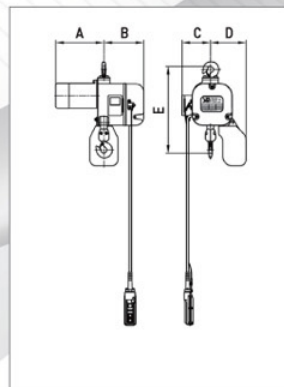
CHAIN HOIST

Suspension Type

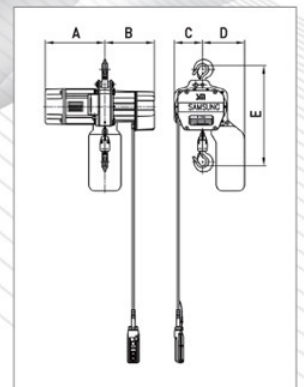
SM-SERISE CHAIN HOIST



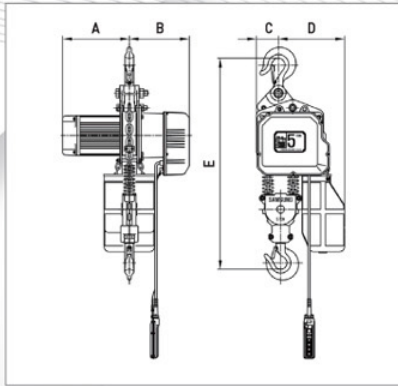
C-Frame 3000kg



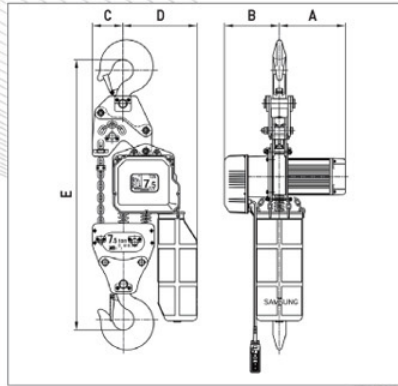
A-Frame 250~500kg



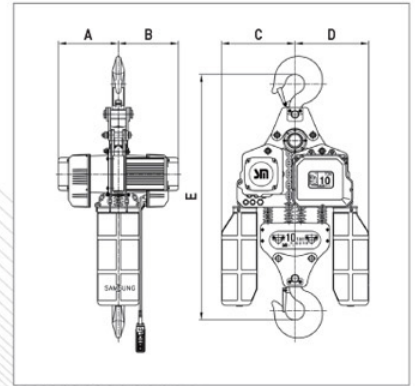
B-Frame 1000~3000kg[2falls]



C-Frame 5000kg



C-Frame 7500kg



C-Frame 10000kg

Specification & Dimensions

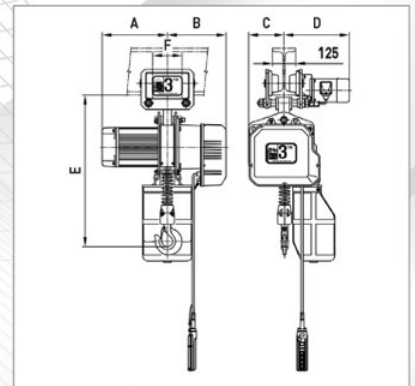
STANDARD

Frame	Model	Capacity (KG)	Hoisting Motor-Single				Hoisting Motor-Dual				Load Chain (mm*Falls)	Net.Weight (kgs)	Dimension					
			Power(kw)		Speed(m/min)		Power(kw)		Speed(m/min)				Single					Dual
			50Hz	60Hz	50Hz	60Hz	50Hz	60Hz	50Hz	60Hz			A	B	C	D	E	A
A	SMO-S250	250	0.21*8P	0.25*8P	3.5	4.2	-	-	-	-	Ø5x1	32	245	238	150	180	430	-
			0.42*4P	0.5*4P	7	8.4	-	-	-	-								
	SMO-S490	490	0.42*4P	0.5*4P	3.5	4.2	-	-	-	-	Ø5x2	37	245	238	150	180	430	-
	SMO-S500	500	0.92*4P	1.1*4P	7	8.4	-	-	-	-	Ø5x1							
B	SMO-S(D)500	500	1.25*4P	1.5*4P	9	10.8	1.25/0.63*4/8P	1.5/0.75*4/8P	9.0/4.5	10.8/5.4	Ø7.1x1	65	295	245	145	210	495	325
	SMO-S(D)1000	1000	1.25*4P	1.5*4P	5.8	7	1.25/0.63*4/8P	1.5/0.75*4/8P	5.8/2.9	7.0/3.5	Ø7.1 x 1	65	295	245	145	210	495	325
			1.25*4P	1.5*4P	6.4	7.7	1.25/0.63*4/8P	1.5/0.75*4/8P	6.4/3.2	7.7/3.9								
	SMO-S(D)1250	1250	1.7*4P	2.0*4P	5.8	7	1.7/0.85*4/8P	2.0/1.0*4/8P	5.8/2.9	7.0/3.5	Ø7.1x1	65	295	245	145	210	495	325
			1.7*4P	2.0*4P	6.4	7.7	1.7/0.85*4/8P	2.0/1.0*4/8P	6.4/3.2	7.7/3.9								
	SMO-S(D)1500	1500	2.1*4P	2.5*4P	6.7	8	2.1/1.05*4/8P	2.5/1.25*4/8P	6.7/3.3	8.0/4.0	Ø8.0x1	75	325	245	170	240	525	355
			2.1*4P	2.5*4P	7.3	8.8	2.1/1.05*4/8P	2.5/1.25*4/8P	7.3/3.7	8.8/4.4								
	SMO-S(D)1800	1800	1.25*4P	1.5*4P	2.9	3.5	1.25/0.63*4/8P	1.5/0.75*4/8P	2.9/1.5	3.5/1.8	Ø7.1x2	80	295	245	145	210	575	325
	SMO-S(D)2000	2000	1.25*4P	1.5*4P	2.9	3.5	1.25/0.63*4/8P	1.5/0.75*4/8P	3.2/1.6	3.9/1.9								
	SMO-S(D)2500	2500	1.7*4P	2.0*4P	2.9	3.5	1.7/0.85*4/8P	2.0/1.0*4/8P	2.9/1.5	3.5/1.8	Ø7.1x2	80	295	245	145	210	575	325
1.7*4P			2.0*4P	3.2	3.9	1.7/0.85*4/8P	2.0/1.0*4/8P	3.2/1.6	3.9/2.0									
SMO-S(D)3000	3000	2.1*4P	2.5*4P	3.3	4	2.1/1.05*4/8P	2.5/1.25*4/8P	3.3/1.7	4.0/2.0	Ø8.0 x 2	85	325	245	170	240	645	355	
		2.1*4P	2.5*4P	3.7	4.4	2.1/1.05*4/8P	2.5/1.25*4/8P	3.7/1.8	4.4/2.2									
SMO-S(D)3000	3000	2.9*4P	3.5*4P	5	6	2.9/1.45*4/8P	3.5/1.75*4/8P	5.0/2.5	6.0/3.0	Ø11.2x1	120	350	315	195	285	830	390	
SMO-S(D)5000	5000	2.9*4P	3.5*4P	2.5	3	2.9/1.45*4/8P	3.5/1.75*4/8P	2.5/1.3	3.0/1.5	Ø11.2x2	220	350	315	125	350	1190	390	
SMO-S(D)7500	7500	2.9*4P	3.5*4P	1.7	2	2.9/1.45*4/8P	3.5/1.75*4/8P	1.7/0.8	2.0/1.0	Ø11.2x3	390	385	325	190	430	1550	390	
SMO-S(D)10000	10000	2.9*4P	3.5*4P	1.3	1.5	2.9/1.45*4/8P	3.5/1.75*4/8P	1.3/0.6	1.5/0.8	Ø11.2x4	550	385	385	465	465	1550	390	

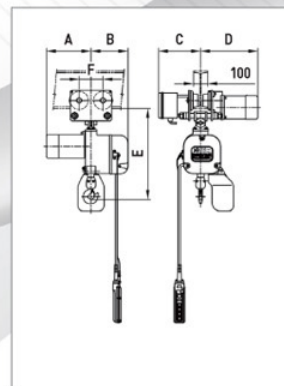
CHAIN HOIST

Motor Trolley Type

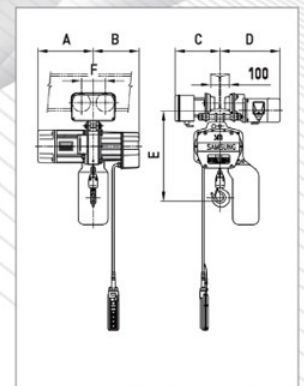
SM-SERISE CHAIN HOIST



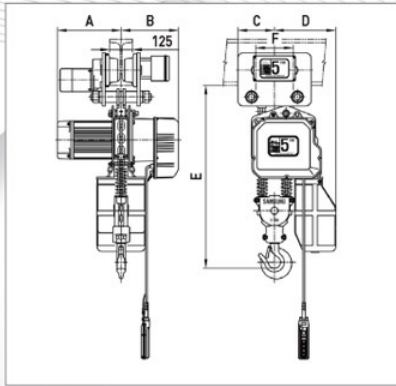
C-Frame 3000kg



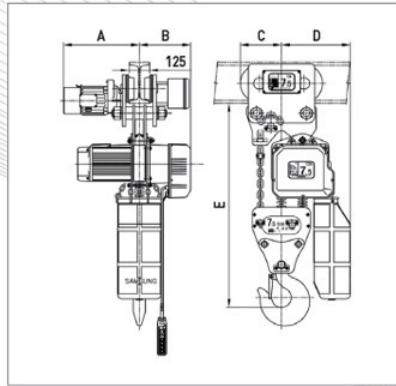
A-Frame 250~500kg



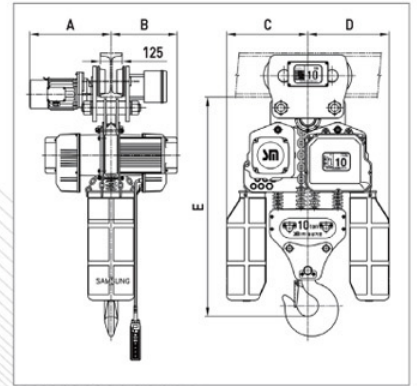
B-Frame 1000~3000kg[2falls]



C-Frame 5000kg



C-Frame 7500kg



C-Frame 10000kg

Specification & Dimensions

STANDARD

Frame	Model	Capacity (KG)	Hoisting Motor-Single				Hoisting Motor-Dual				Traversing Motor				Load Chain (mm* Falls)	Net. Weight (kgs)	I-Beam Width (mm)	Min. Radius For Curve (mm)	Dimension					
			Power(kw)		Speed(m/min)		Power(kw)		Speed(m/min)		Power(kw)		Speed(m/min)						Single			Dual		
			50Hz	60Hz	50Hz	60Hz	50Hz	60Hz	50Hz	60Hz	50Hz	60Hz	50Hz	60Hz					A	B	C	D	E	A
A	SMT-S250	250	0.21*8P	0.25*8P	3.5	4.2	-	-	-	-	0.33*4P	0.4*4P	16.7	20	Ø5x1	58	75~125	1200	245	238	240	320	490	-
			0.42*4P	0.5*4P	7	8.4	-	-	-	-	-	-	-	-					-	-	-	-	-	-
	SMT-S490	490	0.42*4P	0.5*4P	3.5	4.2	-	-	-	-	0.33*4P	0.4*4P	16.7	20	Ø5x2 Ø5x1	60	-	-	-	-	-	-	-	
	SMT-S500	500	0.92*4P	1.1*4P	7	8.4	-	-	-	-	0.33*4P	0.4*4P	16.7	20	Ø7.1x1	105	-	-	-	-	-	-	-	
B	SMT-S(D)500	500	1.25*4P	1.5*4P	9	10.8	1.25/0.63*4/8P	1.5/0.75*4/8P	9.0/4.5	10.8/5.4	0.33*4P	0.4*4P	16.7	20	Ø7.1x1	105	75~125	1200	295	245	240	320	500	325
	SMT-S(D)1000	1000	1.25*4P	1.5*4P	5.8	7	1.25/0.63*4/8P	1.5/0.75*4/8P	5.8/2.9	7.0/3.5	0.33*4P	0.4*4P	16.7	20	Ø7.1x1	105			295	245	240	320	500	325
			1.25*4P	1.5*4P	6.4	7.7	1.25/0.63*4/8P	1.5/0.75*4/8P	6.4/3.2	7.7/3.9									-	-	-	-	-	-
	SMT-S(D)1250	1250	1.7*4P	2.0*4P	5.8	7	1.7/0.85*4/8P	2.0/1.0*4/8P	5.8/2.9	7.0/3.5	0.33*4P	0.4*4P	16.7	20	Ø7.1x1	105	295	245	240	320	500	325		
			1.7*4P	2.0*4P	6.4	7.7	1.7/0.85*4/8P	2.0/1.0*4/8P	6.4/3.2	7.7/3.9							-	-	-	-	-	-	-	-
	SMT-S(D)1500	1500	2.1*4P	2.5*4P	6.7	8	2.1/1.05*4/8P	2.5/1.25*4/8P	6.7/3.3	8.0/4.0	0.33*4P	0.4*4P	15.8	19	Ø8.0x1	115	325	245	240	320	530	355		
			2.1*4P	2.5*4P	7.3	8.8	2.1/1.05*4/8P	2.5/1.25*4/8P	7.3/3.7	8.8/4.4							-	-	-	-	-	-	-	-
	SMT-S(D)1800	1800	1.25*4P	1.5*4P	2.9	3.5	1.25/0.63*4/8P	1.5/0.75*4/8P	2.9/1.5	3.5/1.8	0.33*4P	0.4*4P	15.8	19	Ø7.1x2	115	100~150	1500	295	245	240	320	580	325
	SMT-S(D)2000	2000	1.25*4P	1.5*4P	2.9	3.5	1.25/0.63*4/8P	1.5/0.75*4/8P	2.9/1.5	3.5/1.8									-	-	-	-	-	-
	SMT-S(D)2500	2500	1.7*4P	2.0*4P	2.9	3.5	1.7/0.85*4/8P	2.0/1.0*4/8P	2.9/1.5	3.5/1.8	0.33*4P	0.4*4P	15.8	19	Ø7.1x2	115			295	245	240	320	580	325
			1.7*4P	2.0*4P	3.2	3.9	1.7/0.85*4/8P	2.0/1.0*4/8P	3.2/1.6	3.9/2.0							-	-	-	-	-	-	-	-
	SMT-S(D)3000	3000	2.1*4P	2.5*4P	3.3	4	2.1/1.05*4/8P	2.5/1.25*4/8P	3.3/1.7	4.0/2.0	0.33*4P	0.4*4P	15.8	19	Ø8.0x2	120	325	245	240	320	650	355		
2.1*4P			2.5*4P	3.7	4.4	2.1/1.05*4/8P	2.5/1.25*4/8P	3.7/1.8	4.4/2.2	-							-	-	-	-	-	-	-	
SMT-S(D)3000	3000	2.9*4P	3.5*4P	5	6	2.9/1.45*4/8P	3.5/1.75*4/8P	5.0/2.5	6.0/3.0	0.33*4P	0.4*4P	13.3	16	Ø11.2x1	175	100~150	1500	350	315	190	350	810	390	
C	SMT-S(D)5000	5000	2.9*4P	3.5*4P	2.5	3	2.9/1.45*4/8P	3.5/1.75*4/8P	2.5/1.3	3.0/1.5	0.33*4P	0.4*4P	13.3	16	Ø11.2x2	275	125~175	2000	350	315	200	350	1070	390
	SMT-S(D)7500	7500	2.9*4P	3.5*4P	1.7	2	2.9/1.45*4/8P	3.5/1.75*4/8P	1.7/0.8	2.0/1.0	0.4*6P	0.5*6P	10.8	13	Ø11.2x3	480			465	330	260	430	1280	-
	SMT-S(D)10000	10000	2.9*4P	3.5*4P	1.3	1.5	2.9/1.45*4/8P	3.5/1.75*4/8P	1.3/0.6	1.5/0.8	0.83*6P	1.0*6P	10.8	13	Ø11.2x4	640			465	390	465	465	1280	-

CHAIN HOIST

Special Type

SINGLE PHASE HOIST

Powerful Performance

Excellent performance including when lower voltage lifting up to the weight of 1.25 times heavier than rated weight.

Enough Working Time

Over 20 minutes of running time as like 3 phase hoist.



Specification & Dimensions

STANDARD

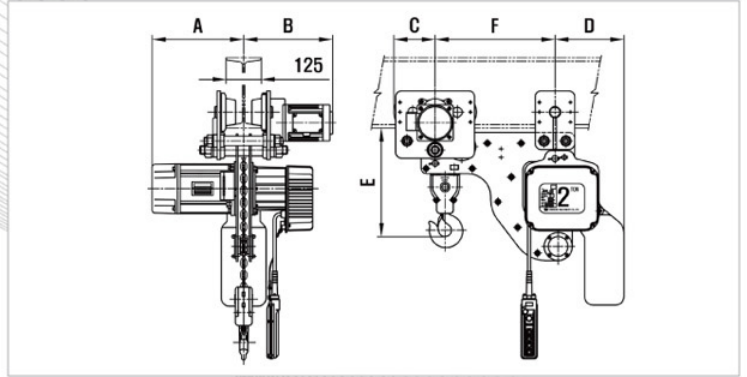
Frame	Model	Capacity (KG)	Hoisting Motor				Load Chain (mm* Falls)	Net.Weight (kgs)	Dimension				
			Power(kw)		Speed(m/min)				Single				
			50Hz	60Hz	50Hz	60Hz			A	B	C	D	E
A	SMO-S250-SP	250	0.21*8P	0.25*8P	3.5	4.2	Ø5x1	32	245	238	150	180	430
			0.42*4P	0.5*4P	7.0	8.4							
	SMO-S490-SP	490	0.42*4P	0.5*4P	3.5	4.2	Ø5x2	37	245	238	150	180	430
	SMO-S500-SP	500	0.92*4P	1.1*4P	7.0	8.4	Ø5x1						
B	SMO-S1000-SP	1000	1.25*4P	1.5*4P	5.8	7.0	Ø7.1x1	65	295	245	145	210	495
			1.25*4P	1.5*4P	6.4	7.7							
	SMO-S1800-SP	1800	1.25*4P	1.5*4P	2.9	3.5	Ø7.1x2	80	295	245	145	210	575
	SMO-S2000-SP	2000	1.25*4P	1.5*4P	3.2	3.9							

Specification & Dimensions

STANDARD

Frame	Model	Capacity (KG)	Hoisting Motor				Traversing Motor				Load Chain (mm* Falls)	Net. Weight (kgs)	I-Beam Width (mm)	Min. Radius For Curve (mm)	Dimension				
			Power(kw)		Speed(m/min)		Power(kw)		Speed(m/min)						Single				
			50Hz	60Hz	50Hz	60Hz	50Hz	60Hz	50Hz	60Hz					A	B	C	D	E
A	SMT-S250-SP	250	0.21*8P	0.25*8P	3.5	4.2	0.33*4P	0.4*4P	16.7	20	Ø5x1	58	75-125	1200	245	238	240	320	490
			0.42*4P	0.5*4P	7.0	8.4													
	SMT-S490-SP	490	0.42*4P	0.5*4P	3.5	4.2	0.33*4P	0.4*4P	16.7	20	Ø5x2	60			245	238	240	320	490
	SMT-S500-SP	500	0.92*4P	1.1*4P	7.0	8.4													
B	SMT-S1000-SP	1000	1.25*4P	1.5*4P	5.8	7.0	0.33*4P	0.4*4P	16.7	20	Ø7.1x1	105	75-125	1200	295	245	240	300	500
			1.25*4P	1.5*4P	6.4	7.7													
	SMT-S1800-SP	1800	1.25*4P	1.5*4P	2.9	3.5	0.33*4P	0.4*4P	15.8	19	Ø7.1x2	115	100-150	1500	295	245	240	300	580
	SMT-S2000-SP	2000	1.25*4P	1.5*4P	3.2	3.9													

LOW HEAD TYPE



Specification & Dimensions

STANDARD

Frame	Model	Capacity (KG)	Hoisting Motor-Single				Hoisting Motor-Dual				Traversing Motor				Load Chain (mm* Falls)	Net. Weight (kgs)	I-Beam Width (mm)	Min. Radius For Curve (mm)	Dimension															
			Power(kw)		Speed(m/min)		Power(kw)		Speed(m/min)		Power(kw)		Speed(m/min)						Single						Dual									
			50Hz	60Hz	50Hz	60Hz	50Hz	60Hz	50Hz	60Hz	50Hz	60Hz	50Hz	60Hz					A	B	C	D	E	F	A									
B	SML-S(D)1000	1000	1.25*4P	1.5*4P	5.8	7	1.25/0.63*4/8P	1.5/0.75*4/8P	5.8/2.9	7.0/3.5	0.33*4P	0.4*4P	16.7	20	Ø7.1x1	105	75~125	∞	295	313	118	245	310	425	325									
			1.25*4P	1.5*4P	6.4	7.7	1.25/0.63*4/8P	1.5/0.75*4/8P	6.4/3.2	7.7/3.9																								
	SML-S(D)1250	1250	1.7*4P	2.0*4P	5.8	7	1.7/0.85*4/8P	2.0/1.0*4/8P	5.8/2.9	7.0/3.5	0.33*4P	0.4*4P	16.7	20	Ø7.1x1	105																		
			1.7*4P	2.0*4P	6.4	7.7	1.7/0.85*4/8P	2.0/1.0*4/8P	6.4/3.2	7.7/3.9																								
	SML-S(D)1500	1500	2.1*4P	2.5*4P	6.7	8	2.1/1.05*4/8P	2.5/1.25*4/8P	6.7/3.3	8.0/4.0	0.33*4P	0.4*4P	15.8	19	Ø8.0x1	115																		
			2.1*4P	2.5*4P	7.3	8.8	2.1/1.05*4/8P	2.5/1.25*4/8P	7.3/3.7	8.8/4.4																								
	SML-S(D)1800	1800	1.25*4P	1.5*4P	2.9	3.5	1.25/0.63*4/8P	1.5/0.75*4/8P	2.9/1.5	3.5/1.8	0.33*4P	0.4*4P	15.8	19	Ø7.1x2	115	100~150	∞																
	SML-S(D)2000	2000	1.25*4P	1.5*4P	2.9	3.5	1.25/0.63*4/8P	1.5/0.75*4/8P	2.9/1.5	3.5/1.8																								
	SML-S(D)2500	2500	1.7*4P	2.0*4P	2.9	3.5	1.7/0.85*4/8P	2.0/1.0*4/8P	2.9/1.5	3.5/1.8	0.33*4P	0.4*4P	15.8	19	Ø7.1x2	115																		
			1.7*4P	2.0*4P	3.2	3.9	1.7/0.85*4/8P	2.0/1.0*4/8P	3.2/1.6	3.9/2.0																								
SML-S(D)3000	3000	2.1*4P	2.5*4P	3.3	4	2.1/1.05*4/8P	2.5/1.25*4/8P	3.3/1.7	4.0/2.0	0.33*4P	0.4*4P	15.8	19	Ø8.0x2	120																			
		2.1*4P	2.5*4P	3.7	4.4	2.1/1.05*4/8P	2.5/1.25*4/8P	3.7/1.8	4.4/2.2																									
C	SML-S(D)3000	3000	2.9*4P	3.5*4P	5	6	2.9/1.45*4/8P	3.5/1.75*4/8P	5.0/2.5	6.0/3.0	0.33*4P	0.4*4P	13.3	16	Ø11.2x1	175	125~175	∞	320	317	140	272	520	480	350									
	SML-S(D)5000	5000	2.9*4P	3.5*4P	2.5	3	2.9/1.45*4/8P	3.5/1.75*4/8P	2.5/1.3	3.0/1.5	0.33*4P	0.4*4P	13.3	16	Ø11.2x2	275			320	334	180	272	735	555	350									

SPECIAL TYPE

HIGH LIFTING TYPE



EXPLOSION PROOF

- 1TON SMT-EX1000
- 2TON SMT-EX2000
- 3TON SMT-EX3000



DOUBLE GIRDER TYPE





ISO 9001



CE

INNOBIZ

INNOBIZ / VENTURE / GOOD EXPORTING COMPANY



PL-INSURANCE



EXPLOSION PROOF



KOTRA SEAL

SM SAMSUNG HOIST

#242-21, Gojeong-Ri, Tongin-Eup, Gimpo-Si, Gyeonggi-Do, Korea
TEL. +82-31-989-8561~3 FAX. +82-31-989-8564 E-mail. samsung@samsunghoist.com